

1 2 3 4 5 6 7 8 9

REVISION			
LTR	DESCRIPTION	DATE	APP

A

B

C

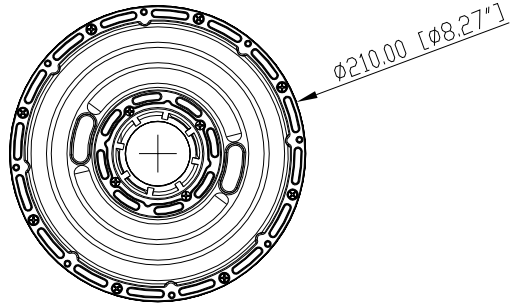
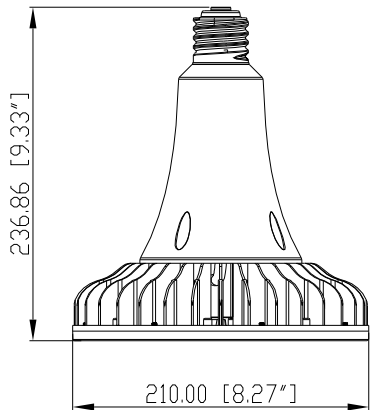
D

E

F

G

H



DIMENSION CLASSIFICATION  
\* : CRITICAL

TOLERANCE TABLE			
TOL. GRADE	<input type="checkbox"/>	<input checked="" type="checkbox"/>	<input type="checkbox"/>
0-25	± 0.10	± 0.20	± 0.50
25-80	± 0.15	± 0.30	± 1.00
80-250	± 0.20	± 0.50	± 2.00
250-	± 0.30	± 0.80	± 3.00
ANGLE	± 1.0'	± 1.5'	± 2.0'

PART NAME			MODEL	
PART NO.			APPROVED	
TOL. ±	1 PLC 2 PLC ANGLE	UNIT	mm	CHECKED
MATERIAL	SCALE	1:5	DRAWN RD02	
FINISH	DATE	2018/12/21	REV	A0
THE 3RD PROJECTION	DWG. NO.	-	SHEET NO.	1/1

1 2 3 4 5 6 7 8 9