

1 2 3 4 5 6 7 8 9

REVISION			
LTR	DESCRIPTION	DATE	APP

A

B

C

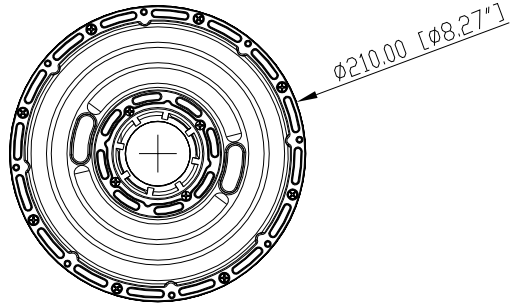
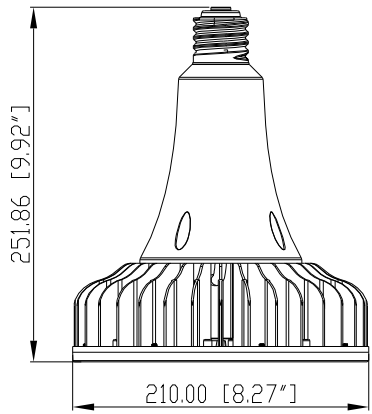
D

E

F

G

H



DIMENSION CLASSIFICATION
* : CRITICAL

TOLERANCE TABLE			
TOL. GRADE	□	■	□
0-25	± 0.10	± 0.20	± 0.50
25-80	± 0.15	± 0.30	± 1.00
80-250	± 0.20	± 0.50	± 2.00
250-	± 0.30	± 0.80	± 3.00
ANGLE	± 1.0°	± 1.5°	± 2.0°

PART NAME			MODEL	
PART NO.			APPROVED	
TOL. ±	1 PLC2	PLCANGLE	UNIT	mm
MATERIAL	SCALE		1:5	DRAWN RD02
FINISH	DATE		2018/12/21	REV A0
THE 3RD PROJECTION			DWG. NO.	SHEET NO. 1/1

1 2 3 4 5 6 7 8 9