

1 2 3 4 5 6 7 8 9

A

B

C

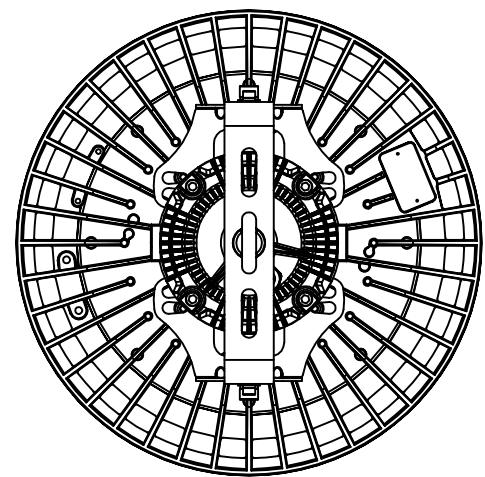
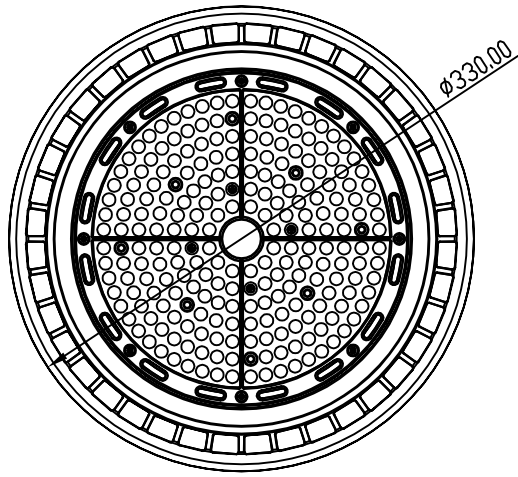
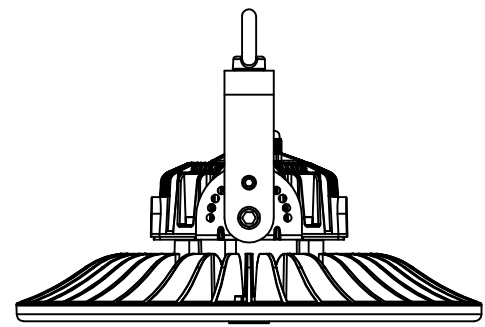
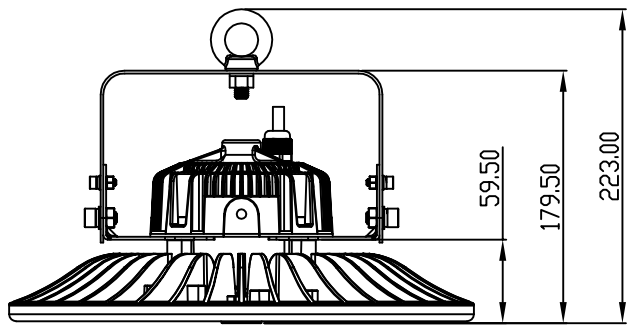
D

E

F

G

H



REVISION			
LTR	DESCRIPTION	DATE	APP

A

B

C

D

E

F

G

H

DIMENSION CLASSIFICATION  
\* : CRITICAL

TOLERANCE TABLE			
TOL. GRADE	□	■	□
0-25	± 0.10	± 0.20	± 0.50
25-80	± 0.15	± 0.30	± 1.00
80-250	± 0.20	± 0.50	± 2.00
250-	± 0.30	± 0.80	± 3.00
ANGLE	± 1.0°	± 1.5°	± 2.0°

PART NAME			MODEL	
PART NO.			-	
TOL. ±	PLC2	PLCANGLE	UNIT	APPROVED
			mm	CHECKED
MATERIAL	SCALE	1:5	DRAWN RD03	
FINISH	DATE	May-23-18	REV	V0
THE 3RD PROJECTION			DWG. NO.	SHEET NO. 1/1

1 2 3 4 5 6 7 8 9