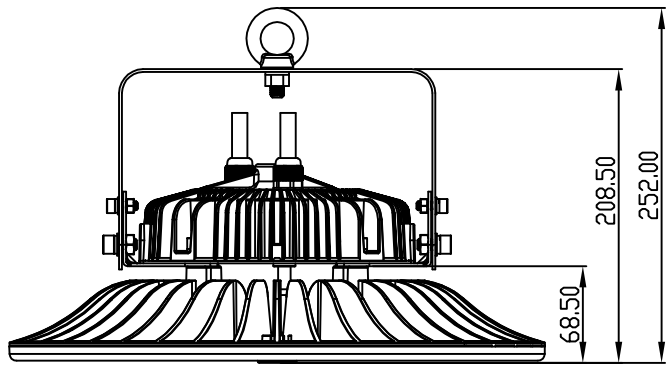


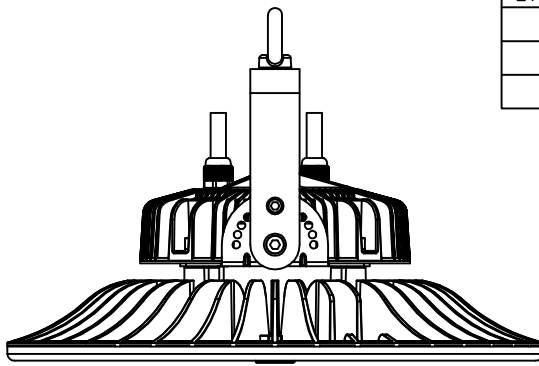
1 2 3 4 5 6 7 8 9

REVISION			
LTR	DESCRIPTION	DATE	APP

A



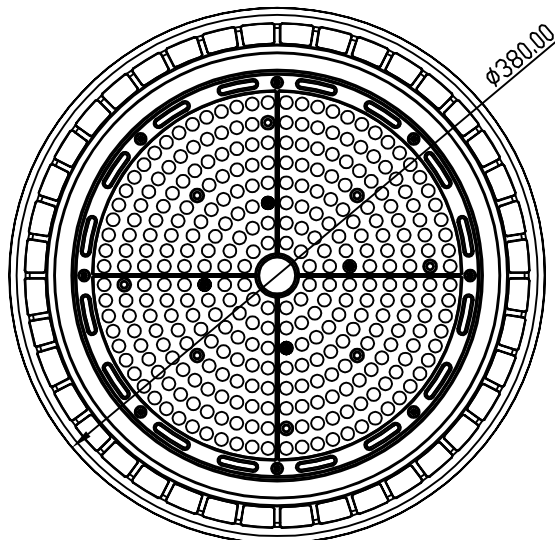
B



A

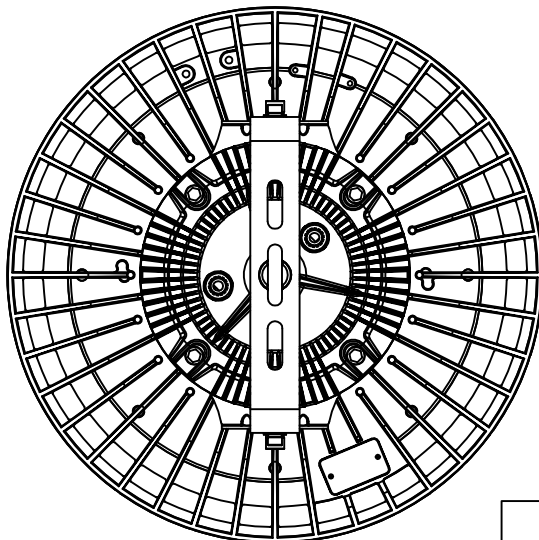
C

D



E

F



D

E

F

G

DIMENSION CLASSIFICATION  
\* : CRITICAL

TOLERANCE TABLE			
TOL. GRADE	□	■	□
0-25	± 0.10	± 0.20	± 0.50
25-80	± 0.15	± 0.30	± 1.00
80-250	± 0.20	± 0.50	± 2.00
250-	± 0.30	± 0.80	± 3.00
ANGLE	± 1.0°	± 1.5°	± 2.0°

H

PART NAME			MODEL			
PART NO.			-			
TOL. ±		PLC2	PLCANGLE	UNIT	mm	APPROVED
MATERIAL		SCALE	1:5	DRAWN		CHECKED
FINISH		DATE	May-22-18	REV	V0	
THE 3RD PROJECTION		DWG. NO.	-	SHEET NO.	1/1	

1 2 3 4 5 6 7 8 9