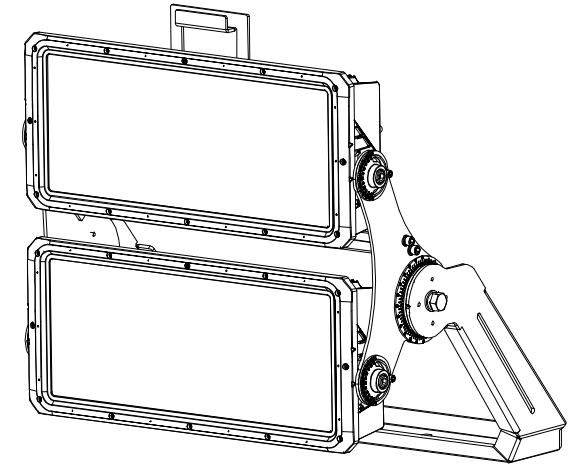


| REVISION | | | |
|----------|-------------|------|-----|
| LTR | DESCRIPTION | DATE | APP |
| | | | |
| | | | |
| | | | |



DIMENSION CLASSIFICATION

* : CRITICAL

TOLERANCE TABLE

| TOL. GRADE | <input type="checkbox"/> | <input checked="" type="checkbox"/> | <input type="checkbox"/> |
|------------|--------------------------|-------------------------------------|--------------------------|
| 0-25 | ±0.10 | ±0.20 | ±0.50 |
| 25-80 | ±0.15 | ±0.30 | ±1.00 |
| 80-250 | ±0.20 | ±0.50 | ±2.00 |
| 250- | ±0.30 | ±0.80 | ±3.00 |
| ANGLE | ± 1.0' | ± 1.5' | ± 2.0' |

| PART NAME | | | | | | MODEL |
|--------------------|-------|-------|-------|----------|------------|-----------|
| | | | | | | - |
| PART NO. | | | | | APPROVED | |
| | | | | | | |
| TOL. ± | 1 PLC | 2 PLC | ANGLE | UNIT | mm | CHECKED |
| | | | | | | |
| MATERIAL | | | | SCALE | 1:10 | DRAWN |
| | | | | | | RD02 |
| FINISH | | | | DATE | 2020/07/07 | REV |
| | | | | | | V0 |
| THE 3RD PROJECTION | | | | DWG. NO. | - | SHEET NO. |
| | | | | | | 1/1 |