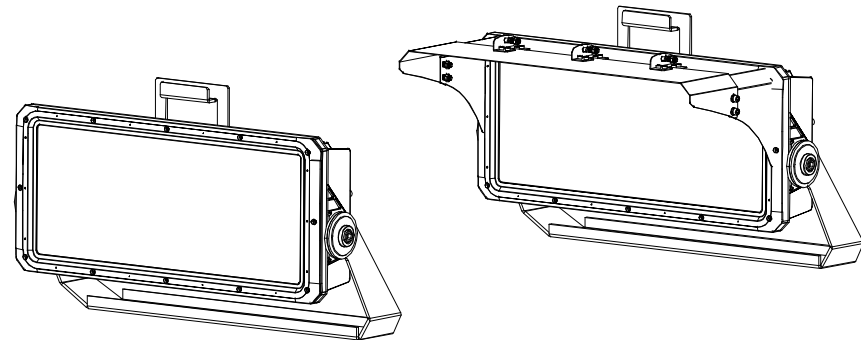
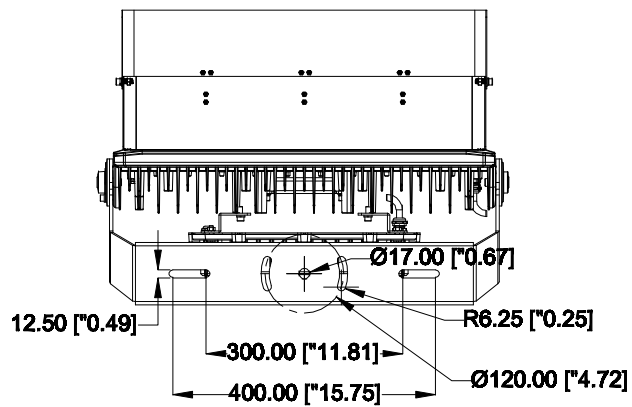
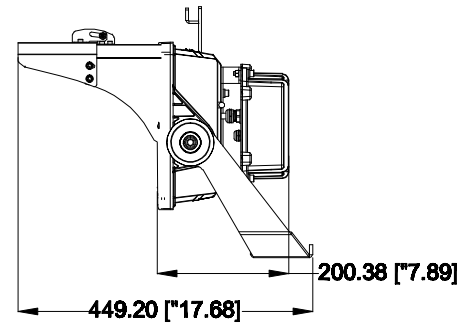
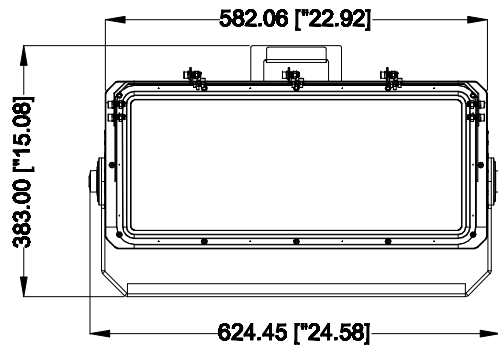


REVISION			
LTR	DESCRIPTION	DATE	APP



DIMENSION CLASSIFICATION

* : CRITICAL

TOLERANCE TABLE			
TOL. GRADE	<input type="checkbox"/>	<input checked="" type="checkbox"/>	<input type="checkbox"/>
0-25	±0.10	±0.20	±0.50
25-80	±0.15	±0.30	±1.00
80-250	±0.20	±0.50	±2.00
250-	±0.30	±0.80	±3.00
ANGLE	±1.0'	±1.5'	±2.0'

PART NAME						MODEL
						-
PART NO.					APPROVED	
TOL. ±	1 PLC	2 PLC	ANGLE	UNIT	mm	CHECKED
MATERIAL				SCALE	1:10	DRAWN RD02
FINISH				DATE	2020/04/30	REV V0
	THE 3RD PROJECTION			DWG. NO.	-	SHEET NO. 1/1