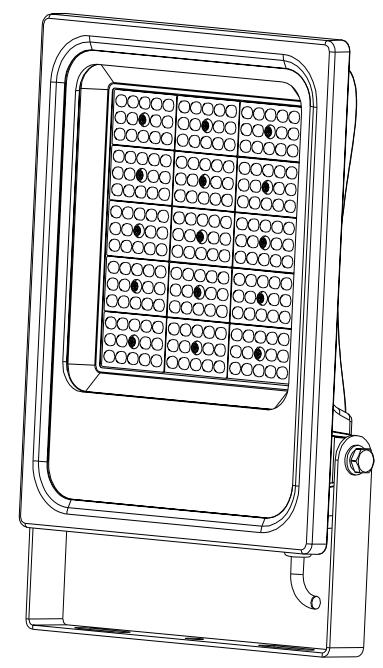
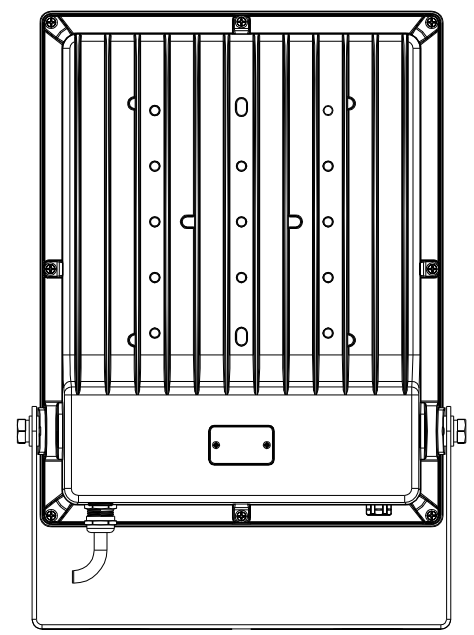
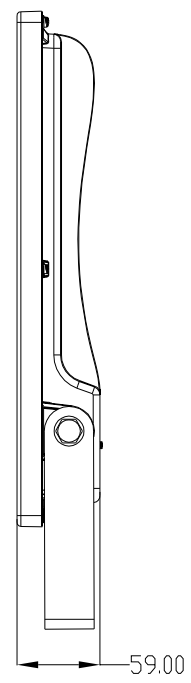
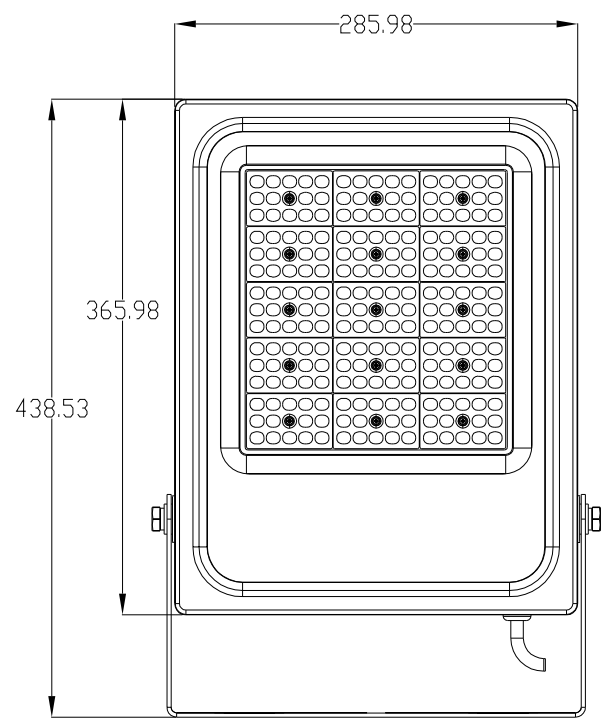
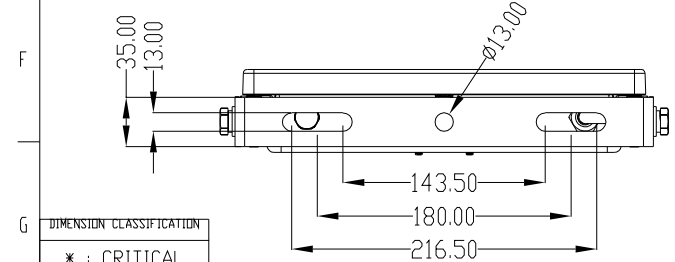


REVISION			
LTR	DESCRIPTION	DATE	APP

A
B
C
D
E



A
B
C
D
E



DIMENSION CLASSIFICATION
* : CRITICAL

TOLERANCE TABLE			
TOL. GRADE	□	■	□
0-25	± 0.10	± 0.20	± 0.50
25-80	± 0.15	± 0.30	± 1.00
80-250	± 0.20	± 0.50	± 2.00
250-	± 0.30	± 0.80	± 3.00
ANGLE	± 1.0°	± 1.5°	± 2.0°

PART NAME			MODEL	
PART NO.			APPROVED	
TOL. ±	1 PLC2 PLCANGLE	UNIT	mm	CHECKED
MATERIAL	SCALE	1:1	DRAWN RD05	
FINISH	DATE	2018-6-11	REV	V0
⊕ THE 3RD PROJECTION	DWG. NO.	-	SHEET NO.	1/1

H

H

1 2 3 4 5 6 7 8 9