

1 2 3 4 5 6 7 8 9

REVISION			
LTR	DESCRIPTION	DATE	APP

A

B

C

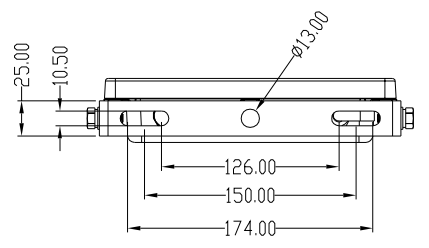
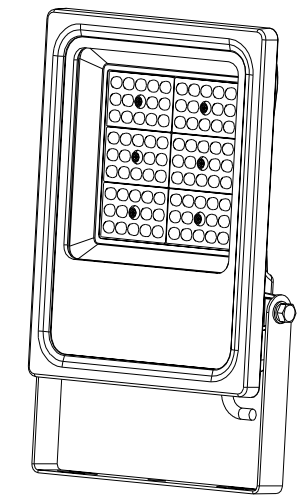
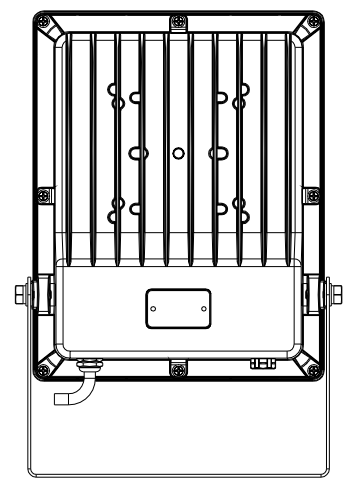
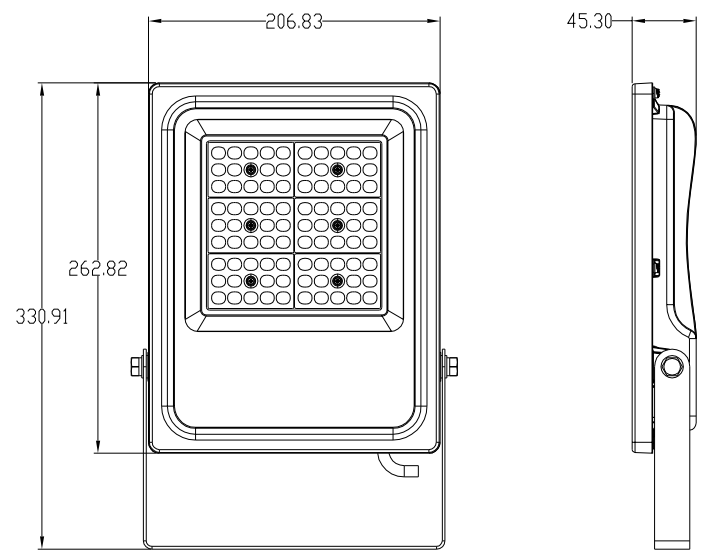
D

E

F

G

H



DIMENSION CLASSIFICATION			
* : CRITICAL			

TOLERANCE TABLE			
TOL GRADE	□	■	□
0-25	± 0.10	± 0.20	± 0.50
25-80	± 0.15	± 0.30	± 1.00
80-250	± 0.20	± 0.50	± 2.00
250-	± 0.30	± 0.80	± 3.00
ANGLE	± 1.0°	± 1.5°	± 2.0°

PART NAME			MODEL		
PART NO.			-		
TOL. ±		1 PLC2 PLC ANGLE	UNIT	mm	APPROVED
MATERIAL		SCALE	1:1	CHECKED	
FINISH		DATE	2018-6-11	REV	V0
THE 3RD PROJECTION		DWG. NO.	-	SHEET NO.	1/1

1 2 3 4 5 6 7 8 9