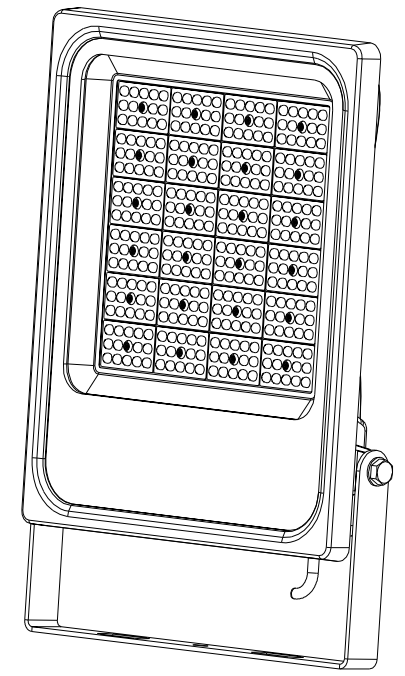
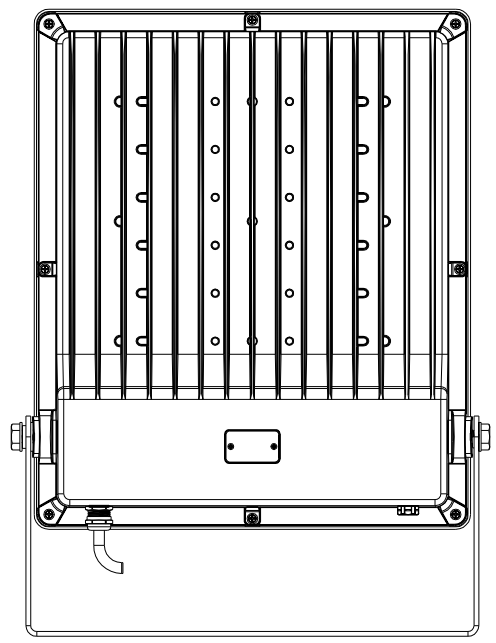


DIMENSION CLASSIFICATION
* : CRITICAL

TOLERANCE TABLE			
TOL. GRADE	□	■	□
0-25	± 0.10	± 0.20	± 0.50
25-80	± 0.15	± 0.30	± 1.00
80-250	± 0.20	± 0.50	± 2.00
250-	± 0.30	± 0.80	± 3.00
ANGLE	± 1.0°	± 1.5°	± 2.0°

REVISION			
LTR	DESCRIPTION	DATE	APP



PART NAME					MODEL				
					-				
PART NO.				APPROVED					
TOL. ±				1	PLC2	PLCANGLE	UNIT	mm	CHECKED
MATERIAL				SCALE	1:1	DRAWN RD05			
FINISH				DATE	2018-6-11	REV	V0	SHEET NO. 1/1	
THE 3RD PROJECTION				DWG. NO.	-				