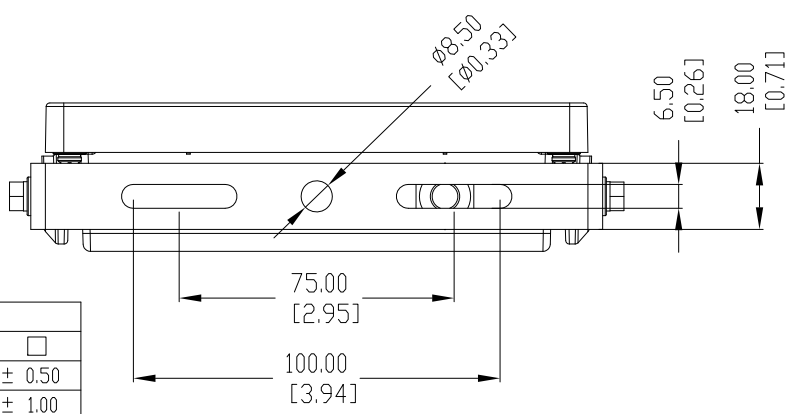


REVISION			
LTR	DESCRIPTION	DATE	APP



DIMENSION CLASSIFICATION
* : CRITICAL

TOLERANCE TABLE			
TOL GRADE	□	■	□
0-25	± 0.10	± 0.20	± 0.50
25-80	± 0.15	± 0.30	± 1.00
80-250	± 0.20	± 0.50	± 2.00
250-	± 0.30	± 0.80	± 3.00
ANGLE	± 1.0°	± 1.5°	± 2.0°

PART NAME			MODEL		
PART NO.			-		
TOL. ±		1 PLC2 PLCANGLE	UNIT	mm	APPROVED
MATERIAL		SCALE	1:2	DRAWN RD03	
FINISH		DATE	Nov-30-18	REV	V0
THE 3RD PROJECTION		DWG. NO.	-	SHEET NO.	1/1